

Product Description

Korogard® B100-Series Bumper Guards

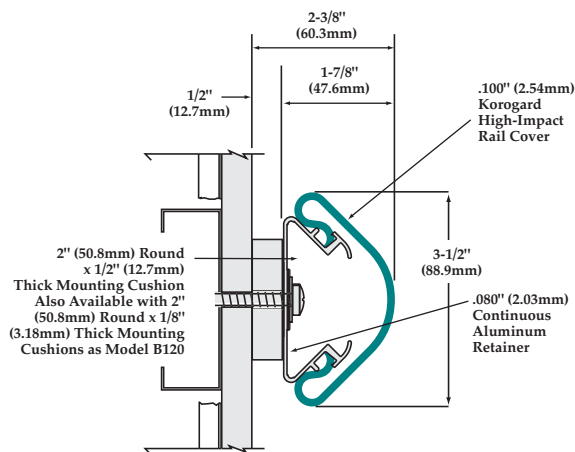


Korogard® B100-Series Bumper Guards are 3-1/2" (88.9mm) high rails with rounded full-length vinyl covers and continuous aluminum retainers. Bumper Guards create a damage-resistant barrier to reckless carts and beds. B100-Series Bumper Guards combine a simple design element and a variety of mounting options to meet every impact need. **Korogard** rugged durability makes B100-Series Bumper Guards best suited for light- to medium-impact areas.

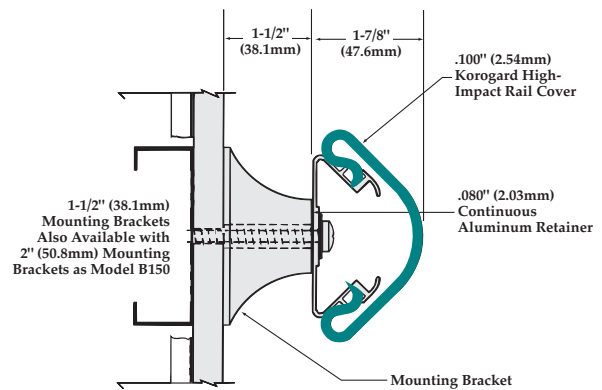
Korogard B100-Series Bumper Guards are backed by a limited five-year warranty. All Bumper Guards are Class A fire rated and meet national building code standards. All **Korogard** linear profiles color-coordinate with a multitude of **Koroseal®** Wallcoverings for a systems approach to wall protection.

B100 SERIES	ACCESSORY ITEMS
B101	Standard End Cap
B103	90° Outside Corner Cap
B105	Splice Kit

For more information on **Korogard** Bumper Guards or the **Koroseal** Wall Protection System, please call your local **Korogard** distributor or 800-628-0449.



B130



B140

Product Description

Product Guide Specification

SECTION 10 26 00 BUMPER GUARDS

PART 1 GENERAL

1.01 SECTION INCLUDES

3-1/2" (88.9mm) Bumper Guards.

1.02 SUBMITTALS

- A. Comply with requirements of Section 01 33 00—Submittals.
- B. Product Data: Submit manufacturer's product data.
- C. Shop Drawings: Submit shop drawings showing components, dimensions, and anchorage details.
- D. Samples: Submit 12" (304.8mm) long sample of each model and color specified, including end caps and corner units, for Architect's approval.
- E. Certification: Submit manufacturer's certification indicating compliance with ADA requirements.

1.03 QUALITY ASSURANCE

Comply with NFPA 101[®] for interior finish materials. Smoke developed less than 450 and flame spread of 25 or less in accordance with ASTM E 84.

1.04 DELIVERY, STORAGE, AND HANDLING

- A. Delivery: Deliver materials to site in manufacturer's original, unopened containers and packaging with labels clearly indicating manufacturer and material.
- B. Storage: Store materials indoors in a clean, dry area protected from damage and in accordance with manufacturer's instructions.
- C. Handling: Protect materials during handling and installation to prevent damage.

PART 2 PRODUCTS

2.01 MANUFACTURER

Koroseal Wall Protection Systems,
A Division of RJF International Corporation.

2.02 BUMPER GUARDS

Koroseal "Korogard" B100-Series Bumper Guard: Bumper Guard mounted over continuous aluminum retainer. Exposed surfaces shall be free of wrinkling, chipping, discoloration, or other imperfections.

1. Dimensions:

- a. Height: 3-1/2" (88.9mm).
 - b. Width: 1-7/8" (47.6mm).
 - c. Clearance from Wall: [Model B120, 1/8" (3.18mm)] [Model B130, 1/2" (12.7mm)] [Model B140, 1-1/2" (38.1mm)] [Model B150, 2" (50.8mm)].
- 2. Profile: High-impact vinyl acrylic extrusion locked in place, nominal 0.100" (2.54mm) thick. Class A fire rating, tested in accordance with ASTM E 84.
 - 3. Extrusion: Pebble grain finish. Contains EPA registered Micro-Chek antimicrobial agent.
 - 4. Retainer: Continuous 6063-T5 aluminum retainer along entire length of Bumper Guard, nominal 0.080" (2.03mm) thick.
 - 5. End Caps: Injection molded, preassembled wall return unit of color and texture similar to that of rail.
 - 6. Corners: External corner units of similar material to end cap units. Carry line of Bumper Guard continuously around corner unless otherwise indicated on drawings.

PART 3 EXECUTION

3.01 EXAMINATION

Inspect wall surfaces to receive Bumper Guards. Notify the Architect in writing if wall surfaces are not acceptable. Do not begin installation until unacceptable conditions have been corrected.

3.02 INSTALLATION

- A. Install Bumper Guards to walls securely in accordance with manufacturer's written instructions.
- B. Install Bumper Guards accurately in location, alignment, and elevation.
- C. Provide horizontal steel stud back-up in drywall stud cavity to accept fasteners.



KOROGARD[®]
WALL PROTECTION SYSTEMS

800-628-0449 • www.korogard.com • Division 10 26 00