

Product Description

Korogard® C500-Series Crash Rails



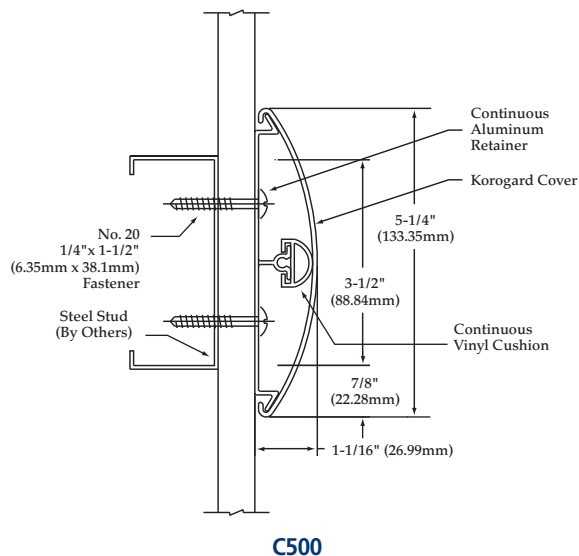
Korogard® C500 Crash Rail is 5" (127mm) high with a standard continuous aluminum retainer. The C500 Crash Rail combines a sleek, elliptical design with a variety of mounting options* to meet your wall protection needs. **Korogard's** rugged durability makes the rail an ideal choice for medium- to high-impact areas.

C500 SERIES	ACCESSORY ITEMS
C501	Standard End Cap
C503	90° Corner Cap
C504	135° Corner Cap
C505	Splice Kit
C541	Extended End Cap

* Additional mounting options including clip-mounted versions are also available. Please refer to Product Guide Specification for additional details.

Korogard C500 Crash Rails are backed by a limited five-year warranty. All Crash Rails are Class A fire rated and meet national building code standards.

For more information on **Korogard** Crash Rails or the **Koroseal®** Wall Protection System, please call your local **Korogard** distributor or 800-628-0449.



Product Description

Product Guide Specification

SECTION 10 26 00 CRASH RAILS

PART 1 GENERAL

1.01 SECTION INCLUDES

5" (127mm) Crash Rails.

1.02 SUBMITTALS

- A. Comply with requirements of Section 01 33 00—Submittals.
- B. Product Data: Submit manufacturer's product data.
- C. Shop Drawings: Submit shop drawings showing components, dimensions, and anchorage details.
- D. Samples: Submit 12" (304.8mm) long sample of each model and color specified, including end caps and corner units for Architect's approval.
- E. Certification: Submit manufacturer's certification indicating compliance with ADA requirements.

1.03 QUALITY ASSURANCE

Comply with NFPA 101® for interior finish materials. Smoke developed less than 450 and flame spread of 25 or less in accordance with ASTM E 84.

1.04 DELIVERY, STORAGE, AND HANDLING

- A. Delivery: Deliver materials to site in manufacturer's original, unopened containers and packaging with labels clearly indicating manufacturer and material.
- B. Storage: Store materials indoors in a clean, dry area protected from damage and in accordance with manufacturer's instructions.
- C. Handling: Protect materials during handling and installation to prevent damage.

PART 2 PRODUCTS

2.01 MANUFACTURER

Koroseal Wall Protection Systems,
A Division of RJF International Corporation.

2.02 CRASH RAILS

Koroseal "Korogard" C500-Series Crash Rail: Crash Rail mounted over continuous aluminum retainer and continuous vinyl bumper cushion. Exposed surfaces shall be free of wrinkling, chipping, discoloration, or other imperfections.

1. Dimensions:

- a. Height: 5" (127mm).
- b. Width: 1" (25.4mm).
- c. Clearance from Wall: [Model C500, flush with wall]
[Model C520, 1/8" (3.18mm)]
[Model C530, 1/2" (12.7mm)]
[Model C540, 1-1/2" (38.1mm)]
[Model C550, 2" (50.8mm)].

2. Profile: High-impact vinyl acrylic extrusion locked in place, nominal 0.078" (1.98mm) thick. Class A fire rating, tested in accordance with ASTM E 84.

3. Extrusion: Pebble grain finish.

4. Retainer: Nominal 0.060" (1.52mm) thick 6063-T5 aluminum.

5. End Caps: Injection-molded, preassembled of color and texture similar to that of rail.

6. Corners: External corner units of similar material to end cap units. Carry line of Crash Rail continuously around corner, unless otherwise indicated on drawings.

7. Color: Color to be selected by Architect from manufacturer's standard colors.

PART 3 EXECUTION

3.01 EXAMINATION

Inspect wall surfaces to receive Crash Rails. Notify the Architect in writing if wall surfaces are not acceptable. Do not begin installation until unacceptable conditions have been corrected.

3.02 INSTALLATION

- A. Install Crash Rails to walls securely in accordance with manufacturer's written instructions.
- B. Install Crash Rails accurately in location, alignment, and elevation.
- C. Provide horizontal steel stud back-up in drywall stud cavity to accept fasteners.



KOROGARD®
WALL PROTECTION SYSTEMS

800-628-0449 • www.korogard.com • Division 10 26 00