

Product Description

Korogard® Crash Rails



CS55

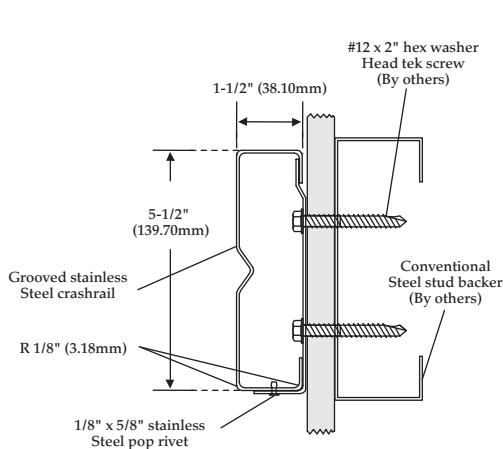


CS5F

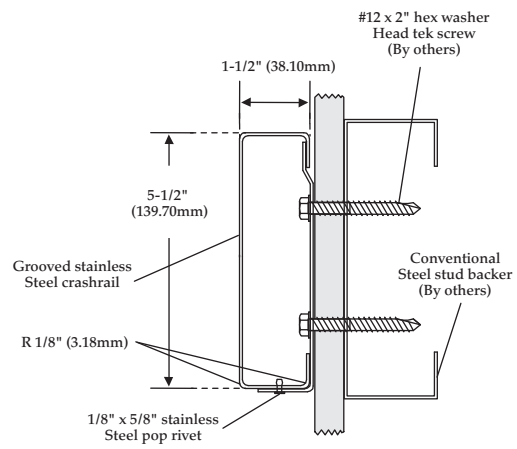
The **Korogard**® CS55 and CS5F stainless steel Crash Rails are 5-1/2" (139.7mm) high with stainless steel mounting brackets. Available with a v-groove face (CS55) and without (CS5F), the Crash Rails offer a unique and modern solution for applications requiring medium- to high-impact resistance.

The **Korogard** CS55 and CS5F Crash Rails are backed by a limited five-year warranty. All Crash Rails meet national building code standards. All **Korogard** linear profiles coordinate with a multitude of **Koroseal**® Wallcoverings for a systems approach to wall protection.

For more information on **Korogard** Crash Rails or the **Koroseal** Wall Protection System, please call your local **Korogard** distributor or 800-628-0449.



CS55



CS5F

Product Description

Product Guide Specification

SECTION 10 26 00 CRASH RAILS

PART 1 GENERAL

1.01 SUMMARY

- A. Section Includes: Bumper Guard and Crash Rail System.
- B. Related Sections:
 - 1. Section 06 00 00-Wood, Plastics, and Composites.
 - 2. Section 09 25 00-Gypsum Wallboard: For light gauge metal framing and backup.

1.02 REFERENCES

American Society for Testing and Materials (ASTM)
ASTM A 276-92 Standard Specification for stainless steel and heat-resisting steel bars and shapes.

1.03 SUBMITTALS

- Comply with Section 01 33 00—Submittals.
- 1. Product data indicating compliance with specified requirements.
 - 2. Shop drawings showing locations, extent and installation details.
 - 3. Samples for selection and verification of product pattern and finish.
 - 4. Sample of each product pattern and finish specified.

1.04 QUALITY ASSURANCE

- A. Manufacturer: A firm regularly engaged in the manufacture of wall protection system components similar to those specified.
- B. Installer: Engage a skilled installer with no less than three years of documented experience installing similar types of products to the extent and complexity of those required for the project.
- C. Code Compliance: Provide product that conforms to the necessary requirements of all applicable codes.
- D. Single Source Responsibility: Provide all product system components from a single source.

1.05 PRODUCT DELIVERY, STORAGE AND HANDLING

- A. Deliver all products to the job site in the supplier's undamaged packaging clearly labeled and properly identified.
- B. Store materials in a clean, dry, protected area where temperature and humidity remain stable and within 40°F (4°C) to 100°F (38°C).
- C. Materials must be stored flat.

1.06 PROJECT CONDITIONS

- A. Maintain a constant temperature range of 65°F (18°C) to 85°F (29°C) with stable relative humidity, for at least 48 hours prior to, through out the installation period and maintained consistently thereafter.
- B. Installation locations must be enclosed, weatherproofed and climate controlled prior to commencing installation.

1.07 WARRANTY

Submit supplier's written warranty against defects in material and workmanship.

1.08 MAINTENANCE

Submit supplier's recommended instructions including precautions against cleaning materials and methods that may be detrimental to product finishes and performance.

PART 2 PRODUCTS

2.01 MANUFACTURER

Koroseal Wall Protection Systems,
A Division of RJF International Corporation.

2.02 MATERIALS

- Koroseal "Korogard" Model CS55 [CS5F] Stainless Steel Crash Rail mounted over wall clips 32" o.c.
- 1. Height: 5-1/2" (139.7mm).
 - 2. Width: 1-1/2" (38.1mm).
 - 3. Face: V-accet (CS55), Flat-faced (CS5F).
 - 4. Material: 16 gauge type 304 stainless steel.
 - 5. Finish: #4 Satin.

PART 3 EXECUTION

3.01 EXAMINATION

- A. Examine product, substrates and installation conditions.
- B. Notify the contractor and architect in writing of any conditions detrimental to the proper and timely completion of the installation.

3.02 SURFACE PREPARATION

Prior to installation, clean surface to remove dirt, debris and loose particles. Perform additional preparation procedures as required per the manufacturer's instructions.

3.03 INSTALLATION

- A. Install the work of this section in strict accordance with manufacturer's written instructions.
- B. If problems occur, stop the installation and contact the local decorative wall panel representative before proceeding.

3.04 CLEAN UP COMPLETION

Upon completion of the work, remove excess materials, debris and rubbish resulting from the installation and leave the area in a clean and orderly condition.



KOROGARD[®]
WALL PROTECTION SYSTEMS

800-628-0449 • www.korogard.com • Division 10 26 00