

Product Description

Korogard® H110 & H180 Handrail



H110



H180

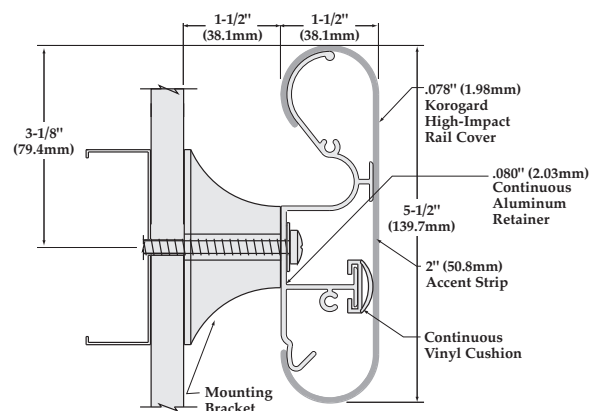
Korogard® H110 and H180 Handrails are 5-1/2" (139.7mm) rails with full-length vinyl bumpers and continuous aluminum retainers. A 2" (50.8mm) accent strip is added to the profile extrusion to add contrast and design options. The accent strip in the H110 Handrail is a solid color, while the H180 Handrail has a **Traffic Patterns®** insert manufactured from 21 oz. fabric-backed **Koroseal®**, **Victrex®**, or **Koroseal® Studios** wallcovering. The H110 and H180 Handrails are ideal for medium- to high-impact areas. End and corner caps are available either as patented foam cushion or as rigid plastic. Optional reveals, available for both foam cushion and rigid plastic end and corner caps, provide additional design options.

Korogard H100 and H180 Handrails are backed by a limited five-year warranty. All Handrails are Class A fire rated and meet national building code standards. All **Korogard** linear profiles color-coordinate with a multitude of **Koroseal** and **Victrex** Wallcoverings for a systems approach to wall protection.

For more information on **Korogard** Handrails or the **Koroseal** Wall Protection System, please call your local **Korogard** distributor or 800-628-0449.

H110 ACCESSORY ITEMS

- H101 End Cap (Foam Cushion)
- H103 90° Corner Cap (Foam Cushion)
- H104 135° Corner Cap (Foam Cushion)
- H105 Splice Kit
- H111 End Cap (Foam Cushion) w/Reveal
- H113 90° Corner Cap (Foam Cushion) w/Reveal
- H114 135° Corner Cap (Foam Cushion) w/Reveal
- H121 Rigid End Cap (Plastic)
- H123 90° Rigid Corner Cap (Plastic)
- H124 135° Rigid Corner Cap (Plastic)
- H131 Rigid End Cap (Plastic) w/Reveal
- H133 90° Rigid Corner Cap (Plastic) w/Reveal
- H134 135° Rigid Corner Cap (Plastic) w/Reveal



H110/H180

Product Description

Product Guide Specification

SECTION 10 26 00 HANDRAILS

PART 1 GENERAL

1.01 SECTION INCLUDES

5-1/2" (139.7mm) Handrail/Bumper Systems.

1.02 SUBMITTALS

- A. Submit in accordance with Section 01 33 00—Submittals.
- B. Product Data: Submit manufacturer's product data.
- C. Shop Drawings: Submit shop drawings showing components, dimensions, and anchorage details.
- D. Samples: Submit for approval 12" (304.8mm) long sample for each model, color, and finish specified, including end caps and corner units.
- E. Test Reports: Submit manufacturer's test reports and certification indicating compliance with applicable ADA and building code requirements.

1.03 QUALITY ASSURANCE

Comply with NFPA 101® for interior finish materials. Smoke developed less than 450 and flame spread of 25 or less in accordance with ASTM E 84.

1.04 DELIVERY, STORAGE, AND HANDLING

- A. Delivery: Deliver materials to site in manufacturer's original, unopened containers and packaging, with labels clearly identifying product name and manufacturer.
- B. Storage: Store materials in clean, dry location, protected against damage of any kind.
- C. Handling: Protect materials during handling and installation to prevent damage.

PART 2 PRODUCTS

2.01 MANUFACTURER

Koroseal Wall Protection Systems,
A Division of RJF International Corporation.

2.02 HANDRAIL/BUMPER SYSTEMS

Koroseal "Korogard" H110/H180 Handrail: Handrail mounted over continuous aluminum retainer and full-length vinyl bumper cushion with mounting brackets maintaining wall clearance. Integral color insert centered in profile extrusion to provide a contrasting accent color along entire Handrail/Bumper length. Exposed surfaces shall be free of wrinkling, chipping, discoloration, or other imperfections.

1. Dimensions
 - a. Height: 5-1/2" (139.7mm).
 - b. Width: 1-1/2" (38.1mm).
 - c. Clear Space from Wall: 1-1/2" (38.1mm).
2. Profile: High-impact vinyl acrylic extrusion locked in place, nominal 0.078" (1.98mm) thick. Class A fire rating, when tested in accordance with ASTM E 84.
3. Accent Strip: 2" (50.8mm) wide strip of [high-impact vinyl acrylic extrusion (H110)] [flexible vinyl wallcovering (H180)].
4. Extrusion: Pebble grain finish. Contains EPA-registered Micro-Chek antimicrobial agent.
5. Retainer: Continuous 6063-T5 aluminum retainer along entire length of Handrail/Bumper, nominal 0.080" (2.03mm) thick.
6. End Caps: [Foam cushion] [Rigid plastic] wall return unit of color and texture similar to that of rail.
7. Corners: Internal and external corner units of similar material to end cap units. Carry line of Handrail/Bumper continuously around corner unless otherwise indicated on drawings.
8. Optional Reveal: Black 1/8" (3.2mm) wide flexible insert between profile cover and end cap/corner provides aesthetic design option.

PART 3 EXECUTION

3.01 EXAMINATION

Verify by examination that wall surfaces are acceptable to receive the specified Handrail/Bumper Systems. Notify the Architect in writing if wall surfaces are not acceptable. Do not begin installation until unacceptable conditions have been corrected.

3.02 INSTALLATION

- A. Install Handrail/Bumper Systems to wall securely in accordance with manufacturer's written instructions.
- B. Install Handrail/Bumper Systems accurately in location, alignment, and elevation.
- C. Provide horizontal steel stud back-up in drywall stud cavity to accept fasteners.



KOROGARD®
WALL PROTECTION SYSTEMS

800-628-0449 • www.korogard.com • Division 10 26 00