

Product Description

Korowood™ Traffic Patterns® Handrails



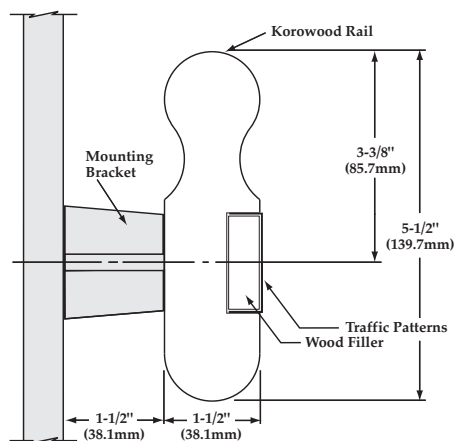
Korowood™ Traffic Patterns® Handrails are constructed of solid wood and are available in a variety of styles. Handrails are ideal for installations requiring low to medium protection. All designs are ADA-compliant and meet national building code standards.

Korowood Traffic Patterns Handrails are available in Red Oak or Maple wood, and four finishes:

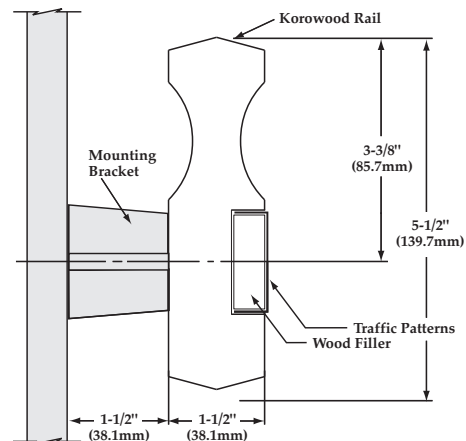
- Unfinished
- Clear Varnish
- Red Oak Stain
- Cherry Stain

NOTE: Cherry, Ash, Poplar, and Eucalyptus are also available and can be stained to specification.

Traffic Patterns insert is manufactured from 21 oz. fabric-backed **Koroseal®**, **Victrex®**, or **Koroseal® Studios** wallcovering. For more information on **Korowood** Solid Wood Handrails, call your local **Korogard** distributor or 800-628-0449.



HW20-TP



HW40-TP

Product Description

Product Guide Specification

SECTION 10 26 00 HANDRAILS

PART 1 GENERAL

1.01 SECTION INCLUDES

Solid Wood Handrails.

1.02 SUBMITTALS

- A. Comply with requirements of Section 01 33 00—Submittals.
- B. Product Data: Submit manufacturer's product data including wood types and finishes, bumpers, and installation instructions.
- C. Shop Drawings: Submit shop drawings showing components, dimensions, and anchorage details.
- D. Samples: Submit 6" (152.4mm) long sample of each model, wood, finish, and bumper specified, including return and end units for Architect's approval.
- E. Certification: Submit manufacturer's certification indicating compliance with ADA requirements.

1.03 QUALITY ASSURANCE

Comply with ADA and national building code requirements.

1.04 DELIVERY, STORAGE, AND HANDLING

- A. Delivery: Deliver materials to site in manufacturer's original, unopened containers and packaging with labels clearly indicating manufacturer and material.
- B. Storage: Store materials indoors in a clean, dry area protected from damage and in accordance with manufacturer's instructions. Store wood products at proper relative humidity to avoid surface checking and end checking.
- C. Handling: Protect materials during handling and installation to prevent damage.

PART 2 PRODUCTS

2.01 MANUFACTURER

Koroseal Wall Protection Systems,
A Division of RJF International Corporation.

2.02 SOLID WOOD HANDRAILS

- A. Handrails:
 1. "Korowood™" Model HW20-TP, Solid Wood Handrail with curved handgrip and "Traffic Patterns®" insert.
 2. "Korowood" Model HW40-TP, Solid Wood Handrail with angular handgrip and "Traffic Patterns" insert.
 3. Mounting Brackets: Wood and finish to match Handrails.
 4. External Corners: Solid wood to match Handrails, factory-cut or crafted in field.
 5. Ends: Solid wood to match Handrails, factory-cut or crafted in field.
 6. Dimensions:
 - a. Height: 5-1/2" (139.7mm).
 - b. Width: 1-1/2" (38.1mm).
 - c. Clearance from Wall: 1-1/2" (38.1mm).

B. Wood and Finish:

1. Red Oak, natural unfinished.
2. Red Oak, natural with clear top coat.
3. Red Oak, red oak stain with clear top coat.
4. Red Oak, cherry stain with clear top coat.
5. Maple, natural unfinished.
6. Maple, natural with clear top coat.
7. Maple, red oak stain with clear top coat.
8. Maple, cherry stain with clear top coat.
9. Cherry, Ash, Poplar, and Eucalyptus are also available and can be stained to specification.

C. Bumpers: Integrated "Traffic Patterns" covered strips.

1. Height: 1-1/2" (38.1mm).
2. Pattern: Pattern to be selected by Architect from manufacturer's standard offering.

PART 3 EXECUTION

3.01 EXAMINATION

Inspect wall surfaces to receive Handrails and Chair Rails. Notify the Architect in writing if wall surfaces are not acceptable. Do not begin installation until unacceptable conditions have been corrected.

3.02 INSTALLATION

- A. Install Handrails to walls securely in accordance with manufacturer's written instructions.
- B. Install Handrails accurately in location, alignment, and elevation.
- C. Do not install cut lengths of Handrails with surface checking, end checking, or other damage.
- D. Do not install Handrails with exposed fasteners or wood plugs.
- E. Provide horizontal steel stud back-up in drywall stud cavity to accept fasteners.

3.03 ADJUSTING

Touch up minor damages or blemishes as approved by Architect.

3.04 CLEANING

Clean surfaces in accordance with manufacturer's instructions.



KOROGARD®
WALL PROTECTION SYSTEMS

800-628-0449 • www.korogard.com • Division 10 26 00