

Corner Guards

Koroseal Wall Protection Systems

Korogard® G100-Series Surface-Mounted Corner Guards



G100



G10F

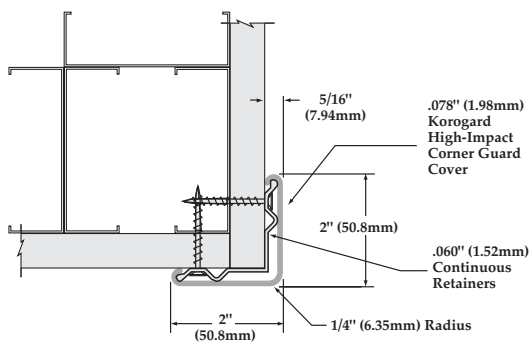
Korogard® G100-Series Corner Guards consist of a formidable 2" (50.8mm) vinyl 1/4" (6.35mm) radius cover mounted over a continuous retainer. **Korogard** Corner Guards are an attractive and durable solution to unsightly, damaged corners. G100-Series Surface-Mounted Corner Guards provide support in medium- to high-impact areas. The G100 is available as G10E, a **Korogard ETS** product manufactured with a unique blend of high-performance materials. The G100 can also be specified as G10F, which has a wood grain finish and solid colored ends. The G10F is available in your choice of six finishes including: American Natural, Red Alder, Auburn Pear, Shaker Cherry, Rustic Cherry, and Summer Flame. The G110 Model is available for partition end protection.

Korogard G100-Series Corner Guards are backed by a limited five-year warranty. All Corner Guards are Class A fire rated and meet national building code standards. All **Korogard** linear profiles color-coordinate with a multitude of **Koroseal®** Wallcoverings for a systems approach to wall protection.

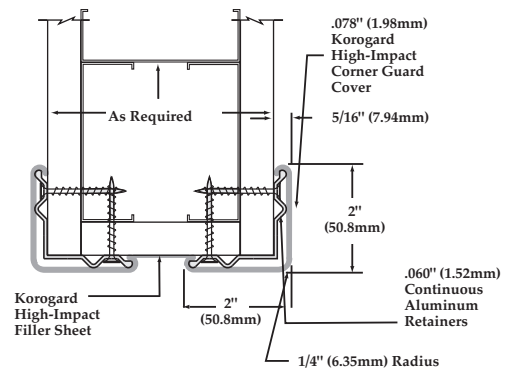
For more information on **Korogard** Corner Guards or the **Koroseal** Wall Protection System, please call your local **Korogard** distributor or 800-628-0449.

G100 SERIES	ACCESSORY ITEMS
G101	Standard End Cap

G100, G110, & G10E: recycled aluminum retainer
 G160 Model: recycled extruded retainer



G100/G10E/G10F/G160



G110

Corner Guards

Product Guide Specification

SECTION 10 26 00 CORNER GUARDS

PART 1 GENERAL

1.01 SECTION INCLUDES

2" (50.8mm) x 2" (50.8mm) Corner Guards.

1.02 SUBMITTALS

- A. Comply with requirements of Section 01 33 00—Submittals.
- B. Product Data: Submit manufacturer's product data.
- C. Shop Drawings: Submit shop drawings showing components, dimensions, and anchorage details.
- D. Samples: Submit 12" (304.8mm) long sample of each model and color specified, including end caps, for Architect's approval.
- E. Certification: Submit manufacturer's certification indicating compliance with applicable building code requirements.

1.03 QUALITY ASSURANCE

Comply with NFPA 101[®] for interior finish materials. Smoke developed less than 450 and flame spread of 25 or less in accordance with ASTM E 84.

1.04 DELIVERY, STORAGE, AND HANDLING

- A. Delivery: Deliver materials to site in manufacturer's original, unopened containers and packaging with labels clearly indicating manufacturer and material.
- B. Storage: Store materials indoors in a clean, dry area protected from damage and in accordance with manufacturer's instructions.
- C. Handling: Protect materials during handling and installation to prevent damage.

PART 2 PRODUCTS

2.01 MANUFACTURER

Koroseal Wall Protection Systems,
A Division of RJF International Corporation.

2.02 CORNER GUARD SYSTEMS

Koroseal "Korogard" G100-Series Corner Guard: Corner Guard mounted over continuous retainer. Exposed surfaces shall be free of wrinkling, chipping, discoloration, or other imperfections.

1. Dimensions
 - a. Leg Length: 2" (50.8mm).
 - b. Angle: 90°.
2. Profile: High-impact vinyl acrylic extrusion locked in place, nominal 0.078" (1.98mm) thick. Class A fire rating, tested in accordance with ASTM E 84.
3. Extrusion: Pebble grain finish. Contains EPA-registered Micro-Chek antimicrobial agent.
4. Retainer: Continuous retainer along entire length of Corner Guard, nominal 0.060" (1.52mm) thick.
 - a. 6063-T5 aluminum (G100, G110).
 - b. Extruded PVC (G160).
5. End Caps: Injection-molded unit of color and texture similar to that of Corner Guard.

PART 3 EXECUTION

3.01 EXAMINATION

Inspect wall surfaces to receive Corner Guards. Notify the Architect in writing if wall surfaces are not acceptable. Do not begin installation until unacceptable conditions have been corrected.

3.02 INSTALLATION

- A. Install Corner Guards to walls securely in accordance with manufacturer's written instructions.
- B. Install Corner Guards accurately in location, alignment, and elevation.



800-628-0449 • www.korogard.com • Division 10 26 00

Korogard[®] and Koroseal[®] are registered trademarks of RJF International Corporation.