

Handrails

Koroseal Wall Protection Systems Korogard® H100, H10E, & H10F Handrails



H100/H10E



H10F

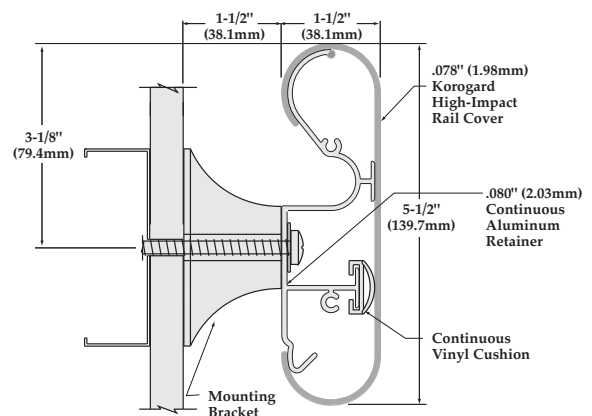
The **Korogard®** H100 Handrail is a 5-1/2" (139.77mm) rail with a full-length vinyl bumper and continuous aluminum retainer. The H100 design is available as H10E, a **Korogard ETS** product manufactured with a unique blend of high-performance materials. With sturdy mounting brackets maintaining wall clearance and stability, the H100 and H10E provide support in medium- to high-impact areas. End and corner caps are available either as patented foam cushion or as rigid plastic. Optional reveals, available for both foam cushion and semi-rigid plastic end and corner caps, provide additional design options. The H100 can also be specified as H10F, which has a wood grain finish and faux wood-wrapped ends. The H10F rail is available in your choice of six finishes including: American Natural, Red Alder, Auburn Pear, Shaker Cherry, Rustic Cherry, and Summer Flame.

The **Korogard** H100 and H10F Handrails are backed by a limited five-year warranty. All Handrails are Class A fire-rated and meet national building code standards. All **Korogard** linear profiles color-coordinate with a multitude of **Koroseal®** Wallcovering for a systems approach to wall protection.

For more information on **Korogard** Handrails or the **Koroseal** Wall Protection System, please call your local **Korogard** distributor or 800-628-0449.

H100/H10E/H10F ACCESSORY ITEMS

H101	End Cap (Foam Cushion)
H103	90° Corner Cap (Foam Cushion)
H104	135° Corner Cap (Foam Cushion)
H105	Splice Kit
H111	End Cap (Foam Cushion) w/Reveal
H113	90° Corner Cap (Foam Cushion) w/Reveal
H114	135° Corner Cap (Foam Cushion) w/Reveal
H121	Rigid End Cap (Plastic)
H123	90° Rigid Corner Cap (Plastic)
H124	135° Rigid Corner Cap (Plastic)
H131	Rigid End Cap (Plastic) w/Reveal
H133	90° Rigid Corner Cap (Plastic) w/Reveal
H134	135° Rigid Corner Cap (Plastic) w/Reveal



H100/H10E/H10F

Handrails

Product Guide Specification

SECTION 10 26 00 HANDRAILS

PART 1 GENERAL

1.01 SECTION INCLUDES

5-1/2" (139.7mm) Handrail/Bumper Systems.

1.02 SUBMITTALS

- A. Submit in accordance with Section 01 33 00—Submittals.
- B. Product Data: Submit manufacturer's product data.
- C. Shop Drawings: Submit shop drawings showing components, dimensions, and anchorage details.
- D. Samples: Submit for approval 12" (304.8mm) long sample for each model, color, and finish specified, including end caps and corner units.
- E. Test Reports: Submit manufacturer's test reports and certification indicating compliance with building code requirements.

1.03 QUALITY ASSURANCE

Comply with NFPA 101® for interior finish materials. Smoke developed less than 450 and flame spread of 25 or less in accordance with ASTM E 84.

1.04 DELIVERY, STORAGE, AND HANDLING

- A. Delivery: Deliver materials to site in manufacturer's original, unopened containers and packaging, with labels clearly identifying product name and manufacturer.
- B. Storage: Store materials in clean, dry location, protected against damage of any kind.
- C. Handling: Protect materials during handling and installation to prevent damage.

PART 2 PRODUCTS

2.01 MANUFACTURER

Koroseal Wall Protection Systems,
A Division of RJF International Corporation.

2.02 HANDRAIL/BUMPER SYSTEMS

Koroseal "Korogard" H100/H10E Handrail: Handrail mounted over continuous aluminum retainer and full-length vinyl bumper cushion with mounting brackets maintaining wall clearance. Exposed surfaces shall be free of wrinkling, chipping, discoloration, or other imperfections.

1. Dimensions
 - a. Height: 5-1/2" (139.7mm).
 - b. Width: 1-1/2" (38.1mm).
 - c. Clear Space from Wall: 1-1/2" (38.1mm).
2. Profile: High-impact vinyl acrylic extrusion locked in place, nominal 0.078" (1.98mm) thick. Class A fire rating, when tested in accordance with ASTM E 84.
3. Extrusion: Pebble grain finish. Contains EPA-registered Micro-Chek antimicrobial agent.
4. Retainer: Continuous 6063-T5 aluminum retainer along entire length of Handrail/Bumper, nominal 0.080" (2.03mm) thick.
5. End Caps: [Foam cushion] [Rigid plastic] wall return unit of color and texture similar to that of rail.
6. Corners: Internal and external corner units of similar material to end cap units. Carry line of Handrail/Bumper continuously around corner unless otherwise indicated on drawings.
7. Optional Reveal: Black 1/8" (3.2mm) wide flexible insert between profile cover and end cap/corner provides aesthetic design option.

PART 3 EXECUTION

3.01 EXAMINATION

Verify by examination that wall surfaces are acceptable to receive the specified Handrail/Bumper Systems. Notify the Architect in writing if wall surfaces are not acceptable. Do not begin installation until unacceptable conditions have been corrected.

3.02 INSTALLATION

- A. Install Handrail/Bumper Systems to wall securely in accordance with manufacturer's written instructions.
- B. Install Handrail/Bumper Systems accurately in location, alignment, and elevation.
- C. Provide horizontal steel stud back-up in drywall stud cavity to accept fasteners.



KOROGARD[®]
WALL PROTECTION SYSTEMS

800-628-0449 • www.korogard.com • Division 10 26 00

Korogard[®] is a registered trademark of RJF International Corporation.