

Handrails

Koroseal Wall Protection Systems Korogard® H600, H60W, & H60F Handrails



H600



H60W



H60F

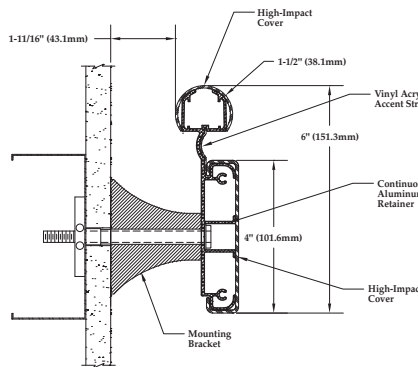
The **Korogard®** H600 and H60F Handrails are 6" (152.4mm) rails with full-length vinyl covers and continuous aluminum retainers. With sturdy mounting brackets maintaining wall clearance and stability, the H600 and H60W provide support in medium- to high-impact areas. Components are available in a variety of mix-and-match colors. The H600 can also be specified as H60F, which has a wood grain finish and faux wood-wrapped ends. The H60F rail is available in your choice of six finishes including: American Natural, Red Alder, Auburn Pear, Shaker Cherry, Rustic Cherry, and Summer Flame.

The **Korogard** H600, H60W, and H60F Handrails are backed by a limited five-year warranty, and meet national building code standards. All **Korogard** linear profile covers color-coordinate with a multitude of **Koroseal®** Wallcoverings for a systems approach to wall protection.

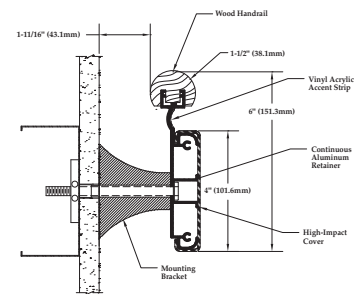
For more information on **Korogard** Handrails or the **Koroseal** Wall Protection System, please call your local **Korogard** distributor or 800-628-0449.

H600/H60W/H60F ACCESSORY ITEMS

H621	Standard End Cap (right)
H622	Standard End Cap (left)
H623	90° Corner Cap (outside only)
H61W	Standard End Cap (right)
H62W	Standard End Cap (left)
H63W	90° Corner Cap (outside only)



H600/H60F



H60W

Handrails

Product Guide Specification

SECTION 10 26 00 HANDRAILS

PART 1 GENERAL

1.01 SECTION INCLUDES

6" (152.4mm) Handrail/Bumper Systems.

1.02 SUBMITTALS

- A. Submit in accordance with Section 01 33 00—Submittals.
- B. Product Data: Submit manufacturer's product data.
- C. Shop Drawings: Submit shop drawings showing components, dimensions, and mounting details.
- D. Samples: Submit for approval 12" (304.8mm) long sample for each model, color, and finish specified, including end caps and corner units.
- E. Test Reports: Submit manufacturer's test reports and certification indicating compliance with applicable building code requirements.

1.03 QUALITY ASSURANCE

Comply with National Building Code requirements.

1.04 DELIVERY, STORAGE, AND HANDLING

- A. Delivery: Deliver materials to site in manufacturer's original, unopened containers and packaging, with labels clearly identifying product name and manufacturer.
- B. Storage: Store materials in clean, dry location, protected against damage of any kind.
- C. Handling: Protect materials during handling and installation to prevent damage.

PART 2 PRODUCTS

2.01 MANUFACTURER

Koroseal Wall Protection Systems,
A Division of RJF International Corporation.

2.02 HANDRAIL/BUMPER SYSTEMS

Koroseal "Korogard" Model H600/H60W Handrail:
Three-piece component mounted over and to continuous aluminum retainer with mounting brackets maintaining wall clearance. Exposed surfaces shall be free of wrinkling, chipping, discoloration, or other imperfections.

1. Dimensions
 - a. Height: 6" (152.4mm).
 - b. Width of Grip: 1-1/2" (38mm).
 - c. Clear Space from Wall: 1-11/16" (42.7mm).
2. Profiles: High-impact vinyl acrylic extrusion locked in place, face cover nominal 0.078" (2mm) thick. Class A fire rating, when tested in accordance with ASTM E 84. Korowood solid wood handgrip (H60W).
3. Extrusion: Pebble grain finish.
4. Korowood Handgrip: Red Oak: Natural Unfinished, Clear Finished, Medium Stain, and Dark Stain; Maple: Natural Unfinished, Clear Finished, Medium Stain, and Dark Stain; Cherry, Ash, Poplar, and Eucalyptus are available and can be stained to specification.
5. Retainer: Continuous 6063-T5 aluminum retainer along entire length of Handrail/Bumper, nominal 0.060" (1.52mm) thick.
6. Ends: Rigid plastic/solid wood wall return unit of color, texture, and finish similar to that of rail.
7. Corners: External corner units of similar material to end cap units. Carry line of Handrail/Bumper continuously around corner unless otherwise indicated on drawings.

PART 3 EXECUTION

3.01 EXAMINATION

Verify by examination that wall surfaces are acceptable to receive the specified Handrail/Bumper Systems. Notify the Architect in writing if wall surfaces are not acceptable. Do not begin installation until unacceptable conditions have been corrected.

3.02 INSTALLATION

- A. Install Handrail/Bumper Systems to wall securely in accordance with manufacturer's written instructions.
- B. Install Handrail/Bumper Systems accurately in location, alignment, and elevation.
- C. Provide horizontal steel stud back-up in drywall stud cavity to accept fasteners.



800-628-0449 • www.korogard.com • Division 10 26 00

Korogard® and Koroseal® are registered trademarks of RJF International Corporation.