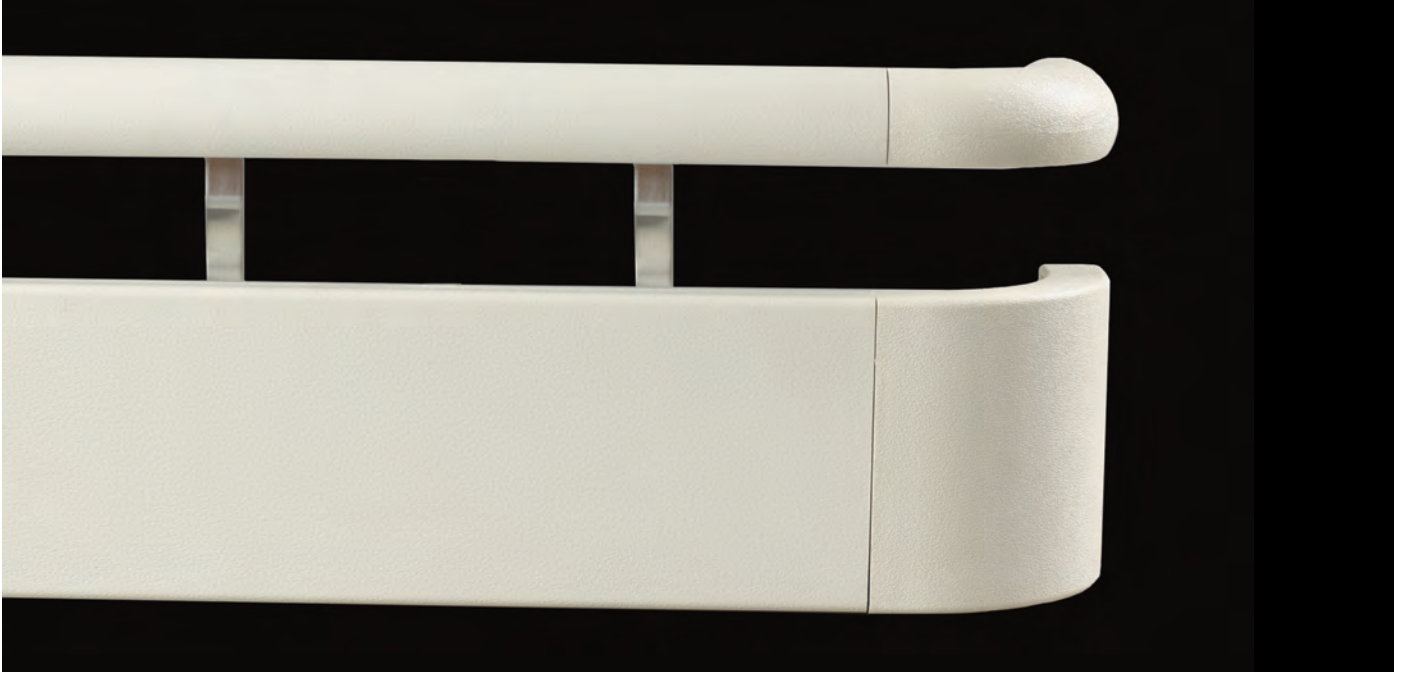


Handrails

Koroseal Wall Protection Systems Korogard® VersaRail Handrail



Named for the product's design versatility, the **Korogard®** VersaRail combines a handrail and crash rail into one unique solution. To achieve dual function, the VersaRail features a sleek 4" (101.6mm) crash rail with a 1-1/2" (38.1mm) round handrail. The top and bottom portions of the rail can be designed with either vinyl or wood and the returns can be specified in vinyl or wood. Select from 50 standard vinyl color options with no minimums or choose a custom color (minimums and extended lead times apply).

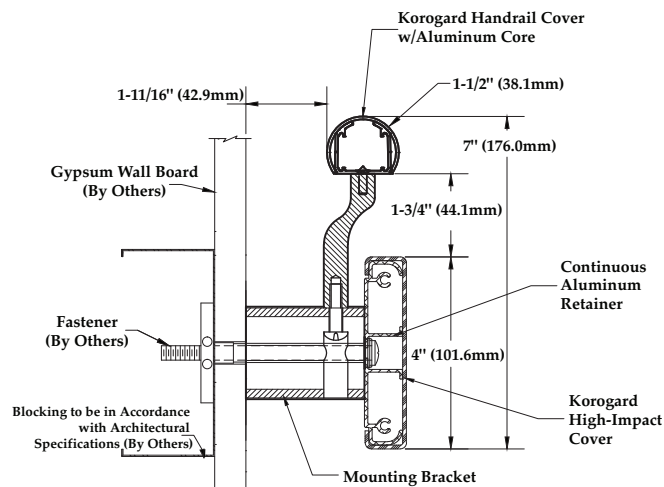
VersaRail wood options include Red Oak, Maple, Cherry, Ash, Poplar, and Eucalyptus with three standard finishes:

- Clear Varnish
- Red Oak Stain
- Cherry Stain

The VersaRail can also be stained to match your specification. For those interested in achieving LEED® credits and sustainable design, we can also build your VersaRail utilizing FSC-Certified wood that promotes sustainability and adheres to strict guidelines set forth by the FSC.

The **Korogard** VersaRail is backed by a limited five-year warranty, and meets national building code standards. All **Korogard** linear profile covers color-coordinate with **Koroseal®** and **Vicrtex®** Wallcoverings for a "systems" approach to wall protection.

For more information on **Korogard** Handrails or the **Koroseal** Wall Protection System, please call your local **Korogard** distributor or 800-628-0449.



VersaRail (Vinyl over Vinyl Shown)

Handrails

Product Guide Specification

SECTION 10 26 00 HANDRAILS

PART 1 GENERAL

1.01 SECTION INCLUDES

7" (177.8 mm) Modular Handrail/Bumper Systems.

1.02 SUBMITTALS

- A. Submit in accordance with Section 01 33 00—Submittals.
- B. Product Data: Submit manufacturer's product data.
- C. Shop Drawings: Submit shop drawings showing components, dimensions, and mounting details.
- D. Samples: Submit for approval 12" (304.8mm) long sample for each model, color, and finish specified, including end caps and corner units.
- E. Test Reports: Submit manufacturer's test reports and certification indicating compliance with applicable building code requirements.

1.03 QUALITY ASSURANCE

Comply with National Building Code requirements.

1.04 DELIVERY, STORAGE, AND HANDLING

- A. Delivery: Deliver materials to site in manufacturer's original, unopened containers and packaging, with labels clearly identifying product name and manufacturer.
- B. Storage: Store materials in clean, dry location, protected against damage of any kind.
- C. Handling: Protect materials during handling and installation to prevent damage.

PART 2 PRODUCTS

2.01 MANUFACTURER

Koroseal Wall Protection Systems,
A Division of RJF International Corporation.

2.02 HANDRAIL/BUMPER SYSTEMS

Koroseal "Korogard" Model "VRXX" VersaRail Handrail: Combination handrail and bumper rail components mounted over and to continuous aluminum retainers anchored with dual connecting mounting brackets maintaining wall clearance. Exposed surfaces shall be free of wrinkling, chipping, discoloration, or other imperfections.

1. Dimensions
 - a. Height: 7" (177.8mm).
 - b. Width of Grip: 1-1/2" (38mm).
 - c. Clear Space from Wall: 1-11/16" (42.7mm).
2. "V" Profiles: High-impact vinyl acrylic extrusion locked in place, handrail cover nominal 0.060" (1.52mm), bumper cover nominal 0.078" (2mm) thick with pebble grain finish. Class A fire rated when tested in accordance with ASTM E 84.
3. "F" Profiles: Simulated woodgrain wrapped extrusions locked in place, handrail cover nominal 0.060" (1.52mm), bumper cover nominal 0.078" (2mm) thick with smooth finish. Class A fire rated when tested in accordance with ASTM E 84.
4. "W" Profiles: Korowood solid wood moldings locked in place. Species and finished as follows: Red Oak in Natural Unfinished, Clear Finished, Medium Stain, and Dark Stain, or as specified; Maple in Natural Unfinished, Clear Finished, Medium Stain, and Dark Stain, or as specified; Cherry, Ash, Poplar, and Eucalyptus are also available and can be stained to specification.
5. Retainer: Continuous 6063-T5 aluminum retainer along entire length of Handrail and Bumper, nominal 0.080" (2mm) thick.
6. Component end units: Rigid plastic / wrapped plastic / solid wood wall return unit of color, texture, and finish similar to that of rail.
7. Component corner units: External corner units of similar material to end cap units. Carry line of Handrail / Bumper continuously around corner unless otherwise indicated on drawings.
8. Color: Color to be selected by Architect from manufacturer's standard colors.

PART 3 EXECUTION

3.01 EXAMINATION

Verify by examination that wall surfaces are acceptable to receive the specified Handrail/Bumper Systems. Notify the Architect in writing if wall surfaces are not acceptable. Do not begin installation until unacceptable conditions have been corrected.

3.02 INSTALLATION

- A. Install Handrail/Bumper Systems to wall securely in accordance with manufacturer's written instructions.
- B. Install Handrail/Bumper Systems accurately in location, alignment, and elevation.
- C. Provide horizontal steel stud back-up in drywall stud cavity to accept fasteners.



800-628-0449 • www.korogard.com • Division 10 26 00

Korogard®, Koroseal®, and Vicrtex® are registered trademarks of RJF International Corporation.