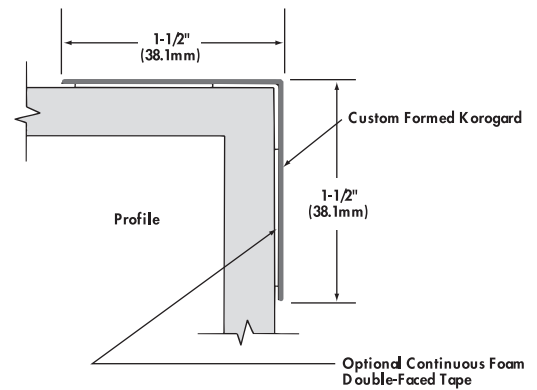
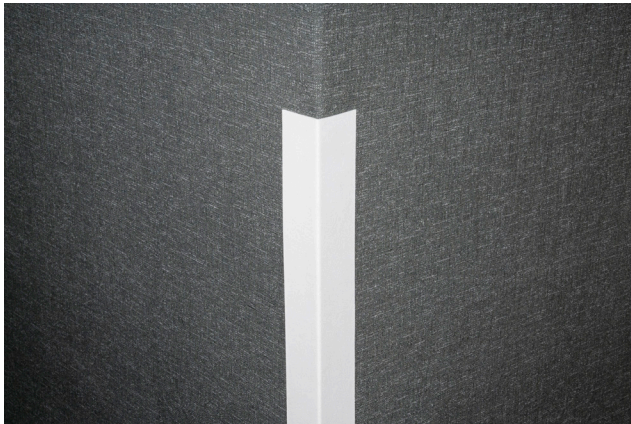


CUSTOM FORMED CORNER GUARDS

Unique custom forming capabilities provide form-fitting, easy-to-install corner guards at an economical cost. Korogard Custom Formed Corner Guards install easily with double-faced tape or contact cement and are available in a variety of widths, lengths, and gauges. All corners are formed with a PVC acrylic base with excellent cleanability and impact resistance.

Korogard Custom Formed Corner Guards are backed by a limited five-year warranty. All Corner Guards are Class A fire rated and meet national building code standards. All Korogard protective products color coordinate with a multitude of Koroseal Wallcoverings for a systems approach to wall protection.

For more information on Korogard Handrails or the Koroseal Wall Protection System, please call your local Korogard distributor.



F515

SECTION 10 26 00 CORNER GUARDS

PART 1 GENERAL

1.01 SECTION INCLUDES

Custom Formed Corner Guards.

1.02 SUBMITTALS

- A. Comply with requirements of Section 01 33 00—Submittals.
- B. Product Data: Submit manufacturer's product data.
- C. Samples: Submit 12" (304.8mm) long sample of each type, thickness, size, and color to be installed for Architect's approval.

1.03 DELIVERY, STORAGE, AND HANDLING

- A. Delivery: Deliver materials to site in manufacturer's original, unopened containers and packaging with labels clearly indicating manufacturer and material.
- B. Storage: Store materials indoors in a clean, dry area protected from damage and in accordance with manufacturer's instructions.
- C. Handling: Protect materials during handling and installation to prevent damage.

1.04 ENVIRONMENTAL REQUIREMENTS

- A. Maintain constant minimum air temperature of 65°F (18°C) for a minimum of 48 hours before and during installation.
- B. Maintain wall and door surface temperature between 65°F (18°C) and 85°F (29°C) during installation.
- C. Do not install if relative humidity is greater than 80% .

PART 2 PRODUCTS

2.01 MANUFACTURER

Koroseal Wall Protection Systems,
A Division of RJF International Corporation.

2.02 CORNER GUARD SYSTEMS

Koroseal "Korogard" Custom Formed Corner Guards:
Rigid high-impact custom formed corner guards.

1. Fire Rating: [Class A] [Class B].
2. Thickness: [0.040" (1.02mm)] [0.060" (1.52mm)] [0.080" (2.03mm)] [0.125" (3.18mm)].
3. Width: [1" (25.4mm) x 1" (25.4mm)] [1-1/2" (38.1mm) x 1-1/2" (38.1mm)] [2" (50.8mm) x 2" (50.8mm)] [3" (76.2mm) x 3" (76.2mm)].
4. Height: _____.
5. Edges: [Square] [Beveled].
6. Backing: [Continuous adhesive backing] [Unbacked].
7. Color: Color to be selected by Architect from manufacturer's standard colors.

2.03 ADHESIVES

Furnish adhesives approved by wall and door protection manufacturer.

PART 3 EXECUTION

3.01 EXAMINATION

Inspect surfaces to receive wall and door protection. Notify the Architect in writing if wall surfaces are not acceptable. Do not begin installation until unacceptable conditions have been corrected.

3.02 SURFACE PREPARATION

Prepare walls in accordance with manufacturer's written instructions.

3.03 INSTALLATION

- A. Install wall and door protection in accordance with manufacturer's written instructions.
- B. Allow wall and door protection and adhesives to precondition for a minimum of 24 hours at a temperature between 65°F (18°C) and 85°F (29°C) before installation.
- C. Install wall and door protection plumb and at height as indicated on the drawings, with surfaces free from distortion.

3.04 CLEANING

- A. Clean wall and door protection in accordance with manufacturer's instructions.
- B. Remove excess adhesive.