

KOROWOOD™ CHAIR RAILS



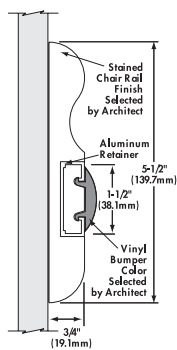
Korowood™ Chair Rails are constructed of solid wood with an integrated bumper and are available in a variety of widths. Korowood is ideal for installations requiring low to medium protection. All designs meet National Building Code Standards.

Korowood is available in Red Oak or Maple wood, and four finishes: Unfinished, Clear Varnish, Red Oak Stain, Cherry Stain.

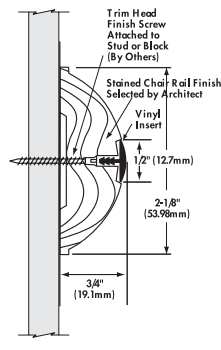
NOTE: Cherry, Ash, Poplar, and Eucalyptus are also available and can be stained to specification.

The integrated bumper is available in a wide selection of colors designed to coordinate with Korogard Wall Protection Products and Koroseal Wallcoverings. Brass-colored retainer is standard. Black and aluminum mill finishes are also available.

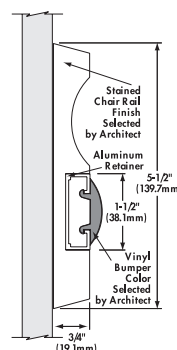
For more information on Korowood Solid Wood Chair Rails or the Koroseal Wall Protection System, call your local Korogard distributor.



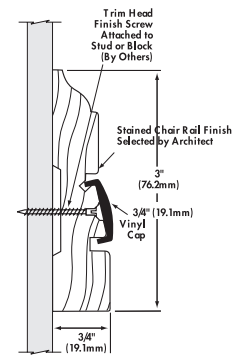
BW20



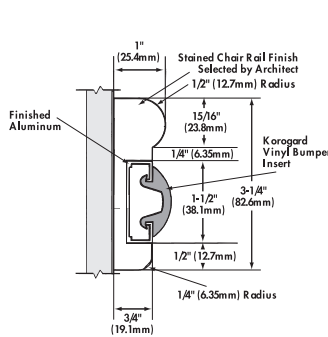
BW30



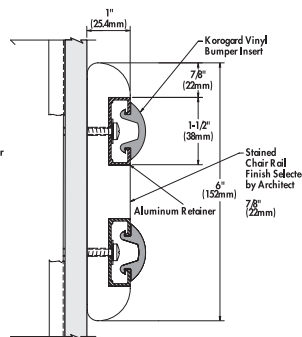
BW40



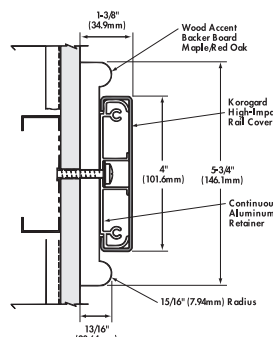
BW50



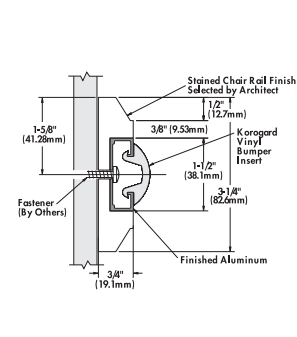
BW60



BW70



BW80



BW90

SECTION 10 26 00 SOLID WOOD CHAIR RAILS

PART 1 GENERAL

1.01 SECTION INCLUDES

Solid Wood Chair Rails.

1.02 SUBMITTALS

- A. Comply with requirements of Section 01 33 00—Submittals.
- B. Product Data: Submit manufacturer's product data including wood types and finishes, bumpers, and installation instructions.
- C. Shop Drawings: Submit shop drawings showing components, dimensions, and anchorage details.
- D. Samples: Submit 6" (152.4mm) long sample of each model, wood, finish, and bumper specified, including return and end units for Architect's approval.
- E. Certification: Submit manufacturer's certification indicating compliance with applicable building code requirements.

1.03 QUALITY ASSURANCE

Comply with National Building Code requirements.

1.04 DELIVERY, STORAGE, AND HANDLING

- A. Delivery: Deliver materials to site in manufacturer's original, unopened containers and packaging with labels clearly indicating manufacturer and material.
- B. Storage: Store materials indoors in a clean, dry area protected from damage and in accordance with manufacturer's instructions. Store wood products at proper relative humidity to avoid surface checking and end checking.
- C. Handling: Protect materials during handling and installation to prevent damage.

PART 2 PRODUCTS

2.01 MANUFACTURER

Koroseal Wall Protection Systems,
A Division of RJF International Corporation.

2.02 SOLID WOOD CHAIR RAILS

- A. Chair Rails:
 1. "Korowood™" BW20 Chair Rail: Solid Wood Chair Rail with curved top and vinyl bumper.
 2. "Korowood™" BW30 Chair Rail: Solid Wood Chair Rail with half-round top and vinyl insert.
 3. "Korowood™" BW40 Chair Rail: Solid Wood Chair Rail with angular top and vinyl bumper.
 4. "Korowood™" BV50 Chair Rail: Solid Wood Chair Rail with angular top and vinyl insert.
 5. "Korowood™" BV60 Chair Rail: Solid Wood Chair Rail with curved top and vinyl bumper.
 6. "Korowood™" BV70 Chair Rail: Solid Wood Chair Rail with two vinyl bumpers.
 7. "Korowood™" BV80 Chair Rail: Solid Wood Chair Rail with decorative backer and vinyl bumper.
 8. "Korowood™" BV90 Chair Rail: Solid Wood Chair Rail with angular profile and vinyl bumper.
 9. Ends: Solid wood to match Chair Rails (factory-made).

10. Dimensions:

- a. Height: [5-1/2" (139.7mm) (BW20, BW40)], [2-1/8" (54 mm) (BW30)], [3-1/4" (82.5mm) (BV60, BV90)], [6" (152.4mm) (BV70)], [3" (76.2mm) (BV50)], [5-3/4" (146.1mm) (BV80)].
- b. Width: [3/4" (19.1mm) (BW20, BV30, BV40, BV50, BV90)], [1" (25.4mm) (BV60, BV70)], [13/16" (20.6mm) (BV80)].

B. Wood and Finish:

1. Red Oak, natural unfinished.
2. Red Oak, natural with clear top coat.
3. Red Oak, red oak stain with clear top coat.
4. Red Oak, cherry stain with clear top coat.
5. Maple, natural unfinished.
6. Maple, natural with clear top coat.
7. Maple, red oak stain with clear top coat.
8. Maple, cherry stain with clear top coat.
9. Cherry, Ash, Poplar, and Eucalyptus are also available and can be stained to specification.

C. Bumpers: Integrated vinyl bumper inserts.

1. Height: [1/2" (12.7mm) (BW30)], [3/4" (19mm) (BV50)], [1-1/2" (38.1mm) (BW20, BV40, BV60, BV70(2), BV90)], [4" (101.6mm) (BV80)].
2. Color: Color to be selected by Architect from manufacturer's standard colors. (BW20, BV40, BV60, BV70, BV80, BV90).
Black Only: BV50
Black and Almond: BW30

PART 3 EXECUTION

3.01 EXAMINATION

Inspect wall surfaces to receive Handrails and Chair Rails. Notify the Architect in writing if wall surfaces are not acceptable. Do not begin installation until unacceptable conditions have been corrected.

3.02 INSTALLATION

- A. Install Chair Rails to walls securely in accordance with manufacturer's written instructions.
- B. Install Chair Rails accurately in location, alignment, and elevation.
- C. Do not install cut lengths of Chair Rails with surface checking, end checking, or other damage.
- D. Do not install Chair Rails with exposed fasteners or wood plugs.
- E. Provide horizontal steel stud back-up in drywall stud cavity to accept fasteners.

3.03 ADJUSTING

Touch up minor damages or blemishes as approved by Architect.

3.04 CLEANING

Clean surfaces in accordance with manufacturer's instructions.